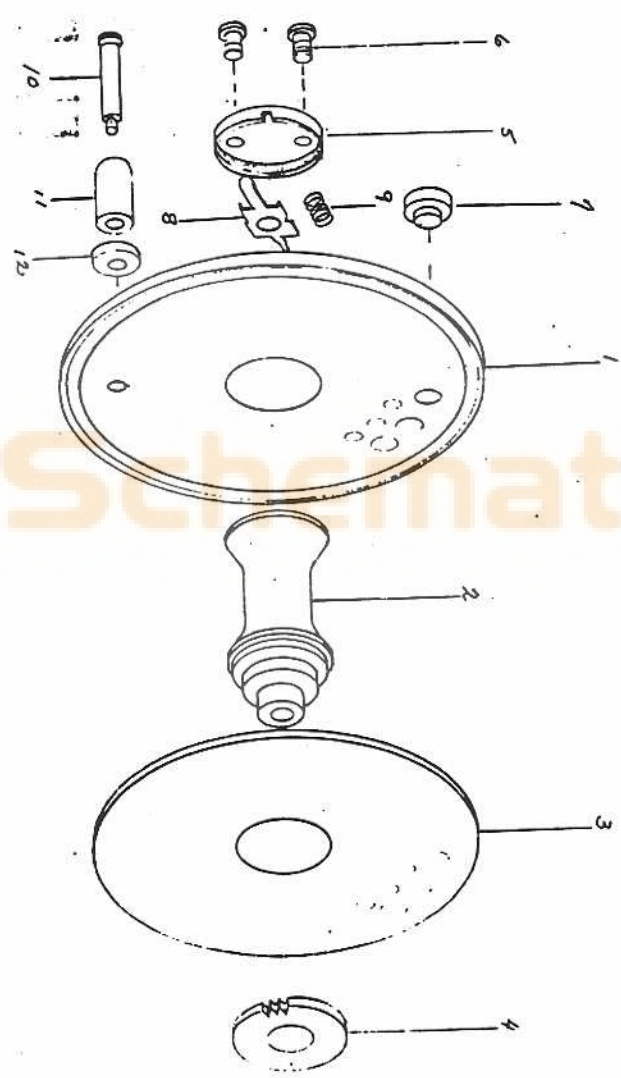


LM-56



NUMBER OF PART	QUANTITY
1 454 SKIRTED SPOOL SIDE	1
2 451 NOB	1
3 457 REAR SPOOL SIDE	1
4 743 HATCHET GEAR	1
5 251 A B SPOOL GAP	2
6 203 S SCREWS	1
7 607-A COUNTERWEIGHT	1
8 252 SPOOL LOCK	1
9 253-S SPRING	1
10 136 ROLLER PIN	1
11 163 CRANK KNOB (BLACK)	1
12 162 CRANK HANDLE JACKET	1
13	
14	